

75 Ω TRIAXIAL CONNECTOR FOR BROADCASTING REDEL F SERIES



REDEL F Series (75 Ω)

The REDEL F Series is a range of self-latching triaxial connectors specifically designed for TV cameras. The design of these connectors is particularly compact, they are easy to assemble and have an excellent electrical performance.

The REDEL F series is a 75 Ω connector that can be used for digital or analog signal transmission.

Available with crimp or solder central contact.

The connector guarantees a protection index of IP66 as per IEC 60529 standard. They are fully intermatable with the 1051 A004 Series.

These connectors are especially dedicated to the Nordic, Spanish and Asian market.



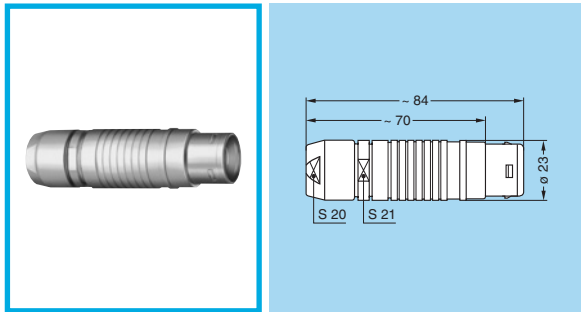
Technical Characteristics

Characteristics	Value	Standard	Method
Impedance	75 Ω	N.A.	N.A.
VSWR (0-500 MHz) ¹⁾	≤ 1.15	IEC 60169-1-1	-
VSWR (0-1000 MHz) ¹⁾	≤ 1.20	IEC 60169-1-1	-
Test voltage central contact/screen	2.9 kVAC	IEC 60512-2	test 4a
Test volt. central screen/external screen	1.9 kVAC	IEC 60512-2	test 4a
Rated current	12 A	IEC 60512-3	test 5a
Contact resistance	< 3 m Ω	IEC 60512-2	test 2a
Contact resistance internal screen	< 1.5 m Ω	IEC 60512-2	test 2f
Electrical continuity of the screen	< 1.5 m Ω	IEC 60512-2	test 2f
Insulation resistance	> 10 ¹² Ω	IEC 60512-2	test 3a
Watertightness	IP66	IEC 60529	-

Note: ¹⁾ Tests have been carried out with FAZ and FNZ models and a triax 11 group 4 cable.

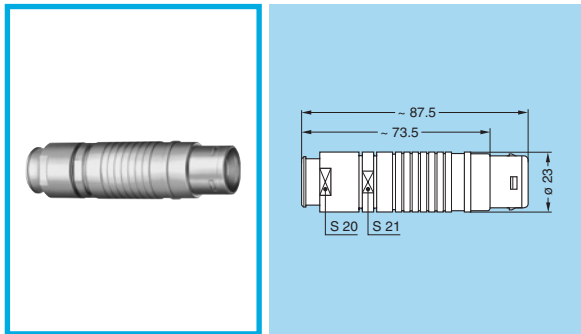
Recommended cables

Reference	Cable groupe	Reference	Cable groupe
Triax Type A2	3	FMC Triax 8	2
Triax Type B2	7	FMC Triax 11	4
BEDEA Superflex triax 8	2	FMC Triax 14	8
BEDEA Superflex triax 11	4	Fujikura 4.8/1.0 EFTXF	3
BEDEA Superflex triax 14	8	Fujikura 9.6/2.22 EFTXF	8
Belden 8232A	1	Hirakawa Triax 4.8/1.0	2
Belden 8233A	5	NOKIA Triax 8	2
Belden 9192	7	NOKIA Triflex 8	2
Belden 9232	7	NOKIA Triax 11	4
Belden 9267	3	NOKIA Triflex 11	4
NEK 23860	2	NOKIA Triax 11/2	6
NEK 63990	4	NOKIA Triax 14	8



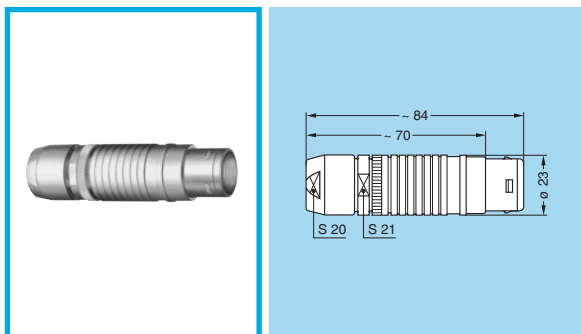
FAZ Straight plug with cable collet

Part Number	Cable groupe
FAZ.T7.5FT.CC85C	1
FAZ.T7.5FT.CC86C	2
FAZ.T7.5FT.CC90C	3
FAZ.T7.5FT.CC11C	4
FAZ.T7.5FT.CC12C	5
FAZ.T7.5FT.CC13C	6
FAZ.T7.5FT.CC14C	7
FAZ.T7.5FT.CC15C	8



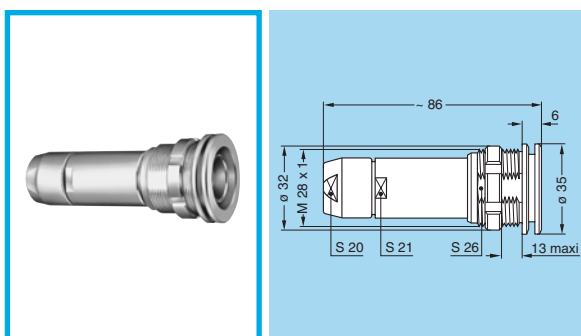
FAZ Straight plug with cable collet and nut for fitting a bend relief

Part Number	Cable groupe
FAZ.T7.5FT.CC85CZ	1
FAZ.T7.5FT.CC86CZ	2
FAZ.T7.5FT.CC90CZ	3
FAZ.T7.5FT.CC11CZ	4
FAZ.T7.5FT.CC12CZ	5
FAZ.T7.5FT.CC13CZ	6
FAZ.T7.5FT.CC14CZ	7
FAZ.T7.5FT.CC15CZ	8



FBZ Straight plug with cable collet and safety nut

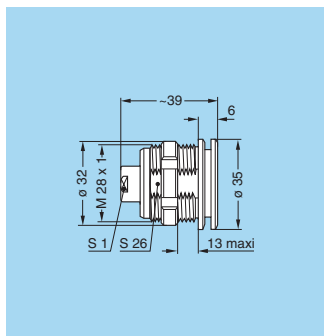
Part Number	Cable groupe
FBZ.T7.5FT.CC85C	1
FBZ.T7.5FT.CC86C	2
FBZ.T7.5FT.CC90C	3
FBZ.T7.5FT.CC11C	4
FBZ.T7.5FT.CC12C	5
FBZ.T7.5FT.CC13C	6
FBZ.T7.5FT.CC14C	7
FBZ.T7.5FT.CC15C	8



FCZ Fixed plug with cable collet, nut fixing

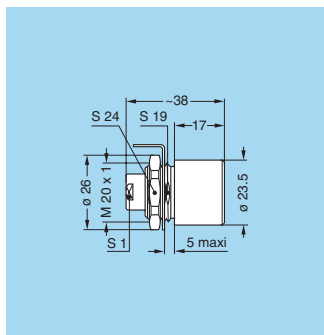
Part Number	Cable groupe
FCZ.T7.5FT.CC85C	1
FCZ.T7.5FT.CC86C	2
FCZ.T7.5FT.CC90C	3
FCZ.T7.5FT.CC11C	4
FCZ.T7.5FT.CC12C	5
FCZ.T7.5FT.CC13C	6
FCZ.T7.5FT.CC14C	7
FCZ.T7.5FT.CC15C	8

Note: All dimensions are in millimetres.



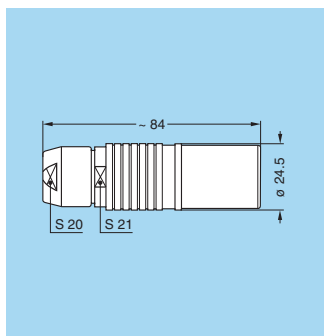
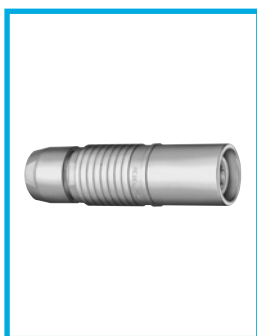
FEZ Fixed plug, nut fixing

Part Number	S1	Cable groupe
FEZ.T7.5FT.C39C	12	1
FEZ.T7.5FT.C49C	12	2-3
FEZ.T7.5FT.C67C	12	4-6
FEZ.T7.5FT.C84C	13	5-7
FEZ.T7.5FT.C99C	13	8



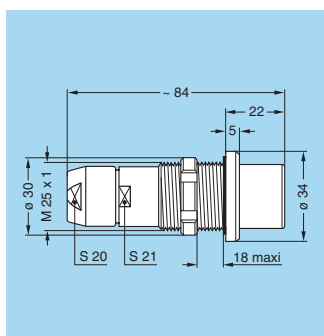
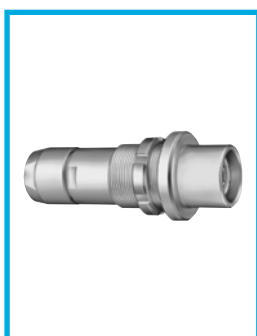
FNZ Fixed socket, nut fixing, visible shell

Part Number	S1	Cable groupe
FNZ.T7.5FT.M39C	12	1
FNZ.T7.5FT.M49C	12	2-3
FNZ.T7.5FT.M67C	12	4-6
FNZ.T7.5FT.M84C	13	5-7
FNZ.T7.5FT.M99C	13	8



FRZ Free socket with cable collet

Part Number	Cable groupe
FRZ.T7.5FT.MC85C	1
FRZ.T7.5FT.MC86C	2
FRZ.T7.5FT.MC90C	3
FRZ.T7.5FT.MC11C	4
FRZ.T7.5FT.MC12C	5
FRZ.T7.5FT.MC13C	6
FRZ.T7.5FT.MC14C	7
FRZ.T7.5FT.MC15C	8



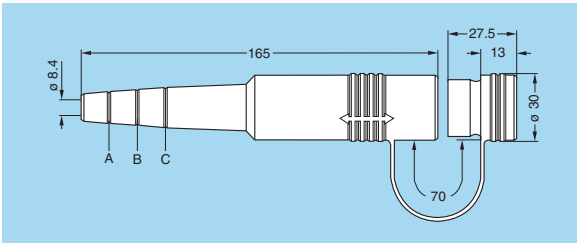
FSZ Fixed socket with cable collet, nut fixing, visible shell

Part Number	Cable groupe
FSZ.T7.5FT.MC85C	1
FSZ.T7.5FT.MC86C	2
FSZ.T7.5FT.MC90C	3
FSZ.T7.5FT.MC11C	4
FSZ.T7.5FT.MC12C	5
FSZ.T7.5FT.MC13C	6
FSZ.T7.5FT.MC14C	7
FSZ.T7.5FT.MC15C	8

Note: All dimensions are in millimetres.



Accessories

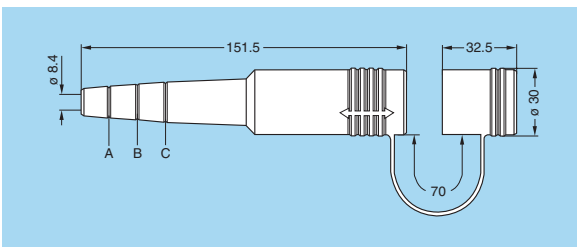


FGA Bend relief with cap for plug

Part Number	Weight (g)
FGA.085.145.EN	51.0

Cut	Cable ø (mm)	
	Min	Max
-	8.4	10.7
A	10.8	12.7
B	12.8	14.1
C	14.2	16.0

Note: This bend relief with cap FGA can only be installed onto a plug FAZ fitted with a nut for a bend relief.

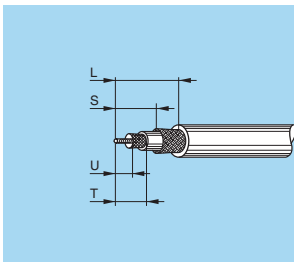


FGR Bend relief with cap for free socket

Part Number	Weight (g)
FGR.085.145.EN	49.0

Cut	Cable ø (mm)	
	Min	Max
-	8.4	10.7
A	10.8	12.7
B	12.8	14.1
C	14.2	16.0

Cable stripping lengths



Cable group	Cable stripping lengths (mm)			
	L	S	T	U
1	34	23.0	13	6
2	34	23.0	13	6
3	34	23.0	13	6
4	34	23.0	13	6
5	34	23.0	13	6
6	34	23.0	13	6
7	34	23.0	13	6
8	34	27.5	15	6

Note:

Inner screen fixing:

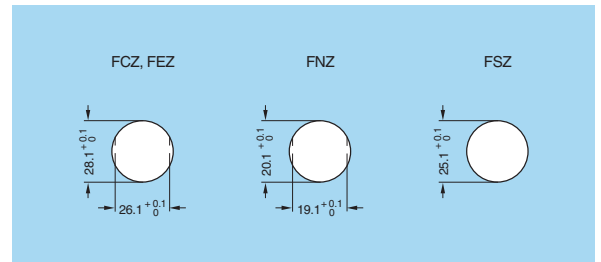
For all the models the letter «C» added to the end of the part number means a clamped inner screen.

For all the models with cable collet, (FAZ, FBZ, FCZ, FRZ and FSZ) the letter «E» added to the end of the part number means a crimped inner screen.

For all the models without cable collet (FEZ and FNZ), the letter «S» added to the end of the part number means a soldered inner screen.

All dimensions are in millimetres.

Panel cut-outs



LEMO HEADQUARTERS

SWITZERLAND
LEMO SA

Chemin des Champs-Courbes 28 - P.O. Box 194 - CH-1024 Ecublens
Tel. (+41 21) 695 16 00 - Fax (+41 21) 695 16 02 - e-mail: info@lemo.com

www.lemo.com